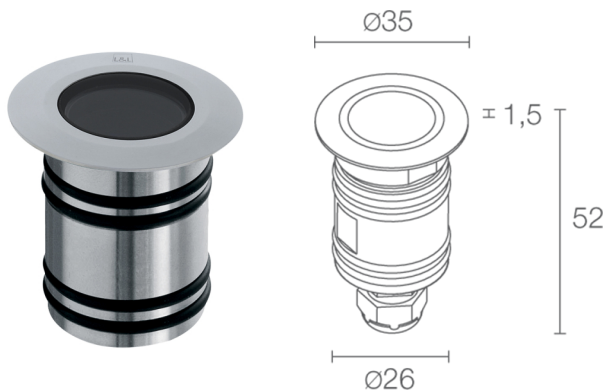


Made in Italy

- **Bright 1.8 316L, code: CW18006DSI**
Recessed for outdoor and underwater applications



DESCRIPTION

recessed for outdoor and underwater applications; walkover up to 500 kg; recessed (wall, ground), max depth 10 m; Power consumption: 1,2W; Power supply: 12Vdc; Lumen output at source: 15 lm, R: 4 lm G: 8 lm B: 3 lm; Delivered lumen output: 11 lm, R: 3 lm G: 6 lm B: 2 lm (transparent diffuse optics); 1 mid-power, full-colour LED, 50 000h L90 B10 (Ta 25°C); LED colour: RGB; Optics: diffuse sandblasted: optical system consisting of white holder and 10-mm-thick, acid-etched, tempered extra-clear glass seal, resistant to knocks and scratches, and with high transmittance to eliminate chromatic alterations; Body material: body and trim made of AISI 316L stainless steel, made entirely on a CNC lathe; Screen material: screen in acid-etched, tempered extra-clear glass; Seals: system of four O-rings to guarantee watertightness and prevent water entering the outer casing.; power supply unit not included; includes 5 m neoprene cable, 05RN-F 4x0.50/0.50 Ø6.3 mm; Ingress protection: IP68; Impact resistance: IK10; not suitable for use in swimming pools with liners; Casambi control using the Casambi app with dedicated electronics; Protection systems: IPS (Intelligent Protection System) protects lighting fixtures from water infiltrations, which can occur if there are faulty junctions between the cables in outdoor or underwater applications. This innovation, patented by L&L, also guarantees electrical protection against polarity reversal, hot plugging, ESD and power surges, which can occur if there are faults in the electrical circuit; Operating temperature: -20°C — +45°C (installation outdoors), 0°C — +45°C (installation underwater); Maximum device temperature: 50°C (Ta 25°C); Glow wire test: 960°C; Photobiological safety: in accordance with IEC TR 62778:2014; Appliance class: class III; Weight: 480 g; Dimensions: Ø35x52 mm; Cutout dimensions: Ø30 mm; Energy efficiency class: F (light source) in accordance with EU 2019/2015; Accessories: WC5003 Outer casing; tested and approved via E.O.L. (End Of Line) test with functioning test and check of electrical power consumption

Status: Product being discontinued

ELECTRICAL CHARACTERISTICS

Power consumption	1,2W
Power supply	12Vdc
Power supply unit	power supply unit not included

LIGHTING CHARACTERISTICS

Number and type of LED	1 mid-power, full-colour LED
Average LED life	50 000h L90 B10 (Ta 25°C)
LED colour	RGB
Optics	diffuse sandblasted
Lumen output at source	15 lm, R: 4 lm G: 8 lm B: 3 lm
Delivered lumen output	11 lm, R: 3 lm G: 6 lm B: 2 lm (transparent diffuse optics)

MECHANICAL CHARACTERISTICS

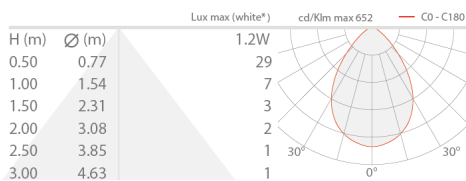
Dimensions	Ø35x52 mm
Weight	480 g
Mounting	with outer casing
Body material	body and trim in AISI 316L stainless steel
Screen material	screen in acid-etched, tempered extra-clear glass
Cutout dimensions	Ø30 mm

GENERAL CHARACTERISTICS

Ingress protection	IP68
Operating temperature	-20°C — +45°C (installation outdoors), 0°C — +45°C (installation underwater)
Impact resistance	IK10
Energy efficiency class	F (light source) in accordance with EU 2019/2015
Glow wire test	960°C
Maximum device temperature	50°C (Ta 25°C)
Appliance class	class III
Drive-over	no
Walkover	up to 500 kg
Power cables	includes 5 m neoprene cable, 05RN-F 4x0.50/0.50 Ø6.3 mm
Protection systems	IPS (Intelligent Protection System)
Photobiological safety	in accordance with IEC TR 62778:2014
Notes	not suitable for use in swimming pools with liners; Casambi control using the Casambi app with dedicated electronics

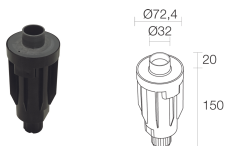
PHOTOMETRIC DATA

D – Diffuse



ACCESSORIES

Installation Accessories



WC5003
Outer casing

L&L Luce&Light SRL reserves the right to change the information contained in this document at any time without prior notice being given.