

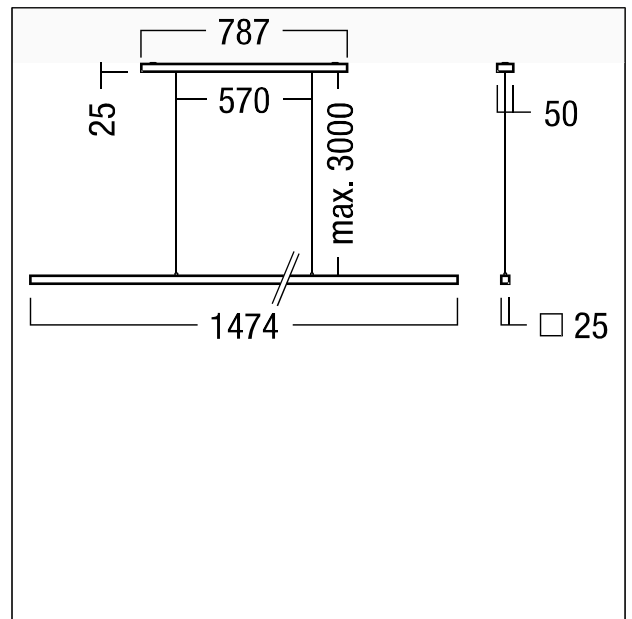
**LED pendant luminaire**

Minimalist direct / indirect LED pendant luminaire with ultra-slim design and micro-reflector optic. Separate control of direct/indirect light. Innovative electrical solution for feed-in and light control via suspension cords. Luminaire input power: 60 W LED, Slave luminaire for DALI control (DALI only) with LED converter. LED service life lasts 50000 h before luminous flux is reduced to 95% of the initial value. Chromaticity tolerance (initial MacAdam): 3. Luminaire luminous flux: 5690 lm, Luminaire efficacy: 95 lm/W. Colour rendering Ra > 80, colour temperature 3000 K. Indirect/direct beam pattern in 65:35 ratio. Glare control to EN 12464-2011 with L65 < 2000 cd/m<sup>2</sup> and UGR < 16 for DSE workstations. Control of light via micro-reflector optic made of high-quality composite material. Indirect light control via special optic with wide, uniform light distribution. Reflector with faceted surface evenly vacuum-coated with highly reflective ultra-pure aluminium. Reflector frame in microtextured paint in black, matt. Luminaire housing made of square-edge extruded aluminium section powder-coated in black with a cross-section of 25 x 25 mm, invisibly screw-fitted die-cast aluminium end pieces painted in luminaire colour in black. Luminaire dimensions: 1474 x 25 x 25 mm. Cord suspension pre-assembled with length 3000 mm, can be cut to length. Gearbox ceiling surface-mounted, black. External gearbox for surface-mounted installation (concrete) in dimensions: 787 x 50 x 25 mm

. Luminaire wired with halogen-free leads. Weight: 5 kg.



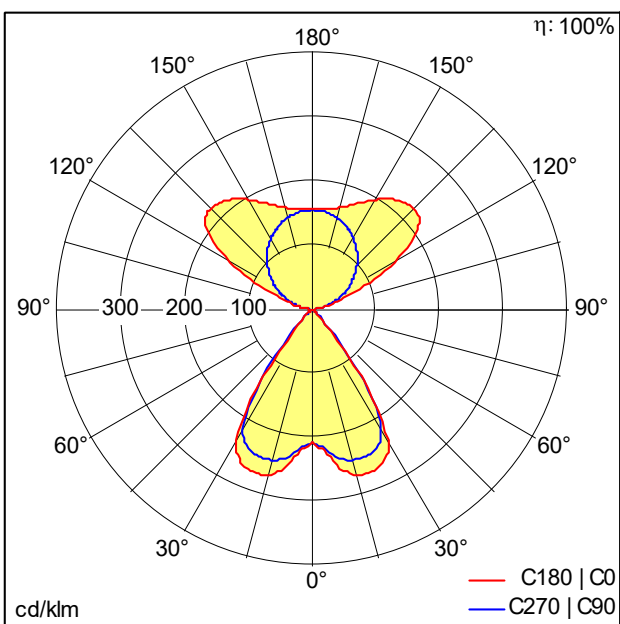
ZS\_LIK\_F\_Pendel\_Detail\_BK\_BK.jpg



ZS\_LIK\_M\_LINETIK\_MSC.wmf

**Light Distribution**

**IND/DIR - indirect/direct**



D40767oAA-D40769uAA\_LINETIK-P\_DI\_LED6000-830\_BK.Idt

- Light Source: LED
- Luminaire luminous flux\*: 5690 lm
- Luminaire efficacy\*: 95 lm/W
- Colour Rendering Index min.: 80
- Ballast 1: 1 x 28000815 LCU 48V 75W DC-STR DIM Ip
- Ballast 2: 2 x 28001585 LMI G2 48V 350-700mA 20-42V DIM Slim
- Correlated colour temperature\*: 3000 Kelvin
- Chromaticity tolerance (initial MacAdam): 3
- Rated median useful life\*: L95 50000 h at 25 °C
- Luminaire input power\*: 60 W Power factor = 0.99
- Dimming: LDO dimmable to 1% over DALI
- Maintenance category CIE 97: F - Indirect Uplight

This product contains light sources of energy efficiency class D.

Please also consult the additional information on the next page

LINETIK



**ZUMTOBEL**

LINETIK DI 6K-830 LDO ASI3 BK BKM MSCBK

42930320

LED pendant luminaire