



CoreLine recessed gen 4

RC136B G4 36_45_60S/840 PSU W60L60 OC

CoreLine recessed gen 4, All-in, 38.5 W, 23 W, 600x600 mm, VPC, 3600 lm, 4500 lm, 6000 lm, 4000 K, UGR19, EL-ready

Introducing Philips CoreLine recessed gen4 – a sleek, modern and energy-efficient lighting solution for offices, education, and healthcare. With higher lumen packages up to 6800 lm, improved efficiency and lifetime, and easy installation with quick connectors or Wieland connectors, Philips Coreline recessed gen4 delivers on the Philips promise of innovative, easy-to-use, high-quality luminaires. Our state-of-the-art LED technology ensures that CoreLine recessed lighting is both eco-friendly and cost-effective, saving you money on your energy bills and helping to reduce your carbon footprint. Upgrade your office, education, or healthcare lighting with CoreLine recessed today and enjoy bright and long-lasting illumination that blends seamlessly with any interior décor.

Product data

General Information		Operating and Electrical	
Number of gear units	1 unit	Correlated Color Temperature (Nom)	4000 K
Driver included	Yes	Luminous Efficacy (rated) (Nom)	157 155 lm/W
Value ladder	Performance	Color rendering index (CRI)	>80
Serviceability class	Class C, luminaire without serviceable parts, not serviceable	Light source color	840 neutral white
Warranty period	5 years	Optic type	Wide beam office compliant
Sustainability rating	Unclassified	Luminaire light beam spread	80°
		Unified glare rating CEN	19
		All-in Type	All-in, Multi Lumen
Light Technical			
Luminous Flux	3,600 4,500 6,000 lm	Input Voltage	220-240 V

CoreLine recessed gen 4

Line Frequency	50 or 60 Hz
Inrush current	25 A
Inrush time	0.15 ms
Power Consumption	38.5 23 W
Power Factor (Fraction)	0.9
Connection	Push-in connector 2-pole
Cable	Cable with connector 3-pole
Number of products on MCB of 16 A type B	38
Suitable for random switching	No
Protection class IEC	Safety class II

Controls and Dimming

Dimmable	No
Driver/power unit/transformer	Power supply unit (On/Off)
Constant light output	No

Mechanical and Housing

Housing Material	Steel
Reflector material	Steel
Optic material	Polycarbonate
Optical cover material	Polycarbonate
Fixation material	-
Housing Color	White
Optical cover finish	Microprismatic lens
Overall length	595 mm
Overall width	595 mm
Overall height	38.5 mm
Dimensions (Height x Width x Depth)	39 x 595 x 595 mm
Compatible ceiling or ceiling installation accessory type	Visible profile ceiling version
Ingress protection code	IP20/44 [Finger-protected; wire-protected, splash-proof]
Mech. impact protection code	IK03 [0.35 J reinforced]
Safety device	SC [Safety cable]
Net Weight (Piece)	3.140 kg

Emergency Operation

Emergency flux	380 lm
Central Emergency	No
Emergency lighting	Emergency lighting ready (through compatible battery kit accessory)

Approval and Application

Glow-wire test	Temperature 650 °C, duration 30 s
Flammability mark	For mounting on normally flammable surfaces
CE mark	Yes
ENEC mark	KEMA Netherlands
Photobiological risk	Photobiological risk group 0 @200mm to EN62778
EU RoHS compliant	Yes
Performance ambient temperature Tq	25 °C
Ambient temperature range	-10 to +40 °C

Initial Performance (IEC Compliant)

Luminous flux tolerance	+/-10%
Initial chromaticity	(0.38.0.38)SDCM<3
Power consumption tolerance	+/-10%

Over Time Performance (IEC Compliant)

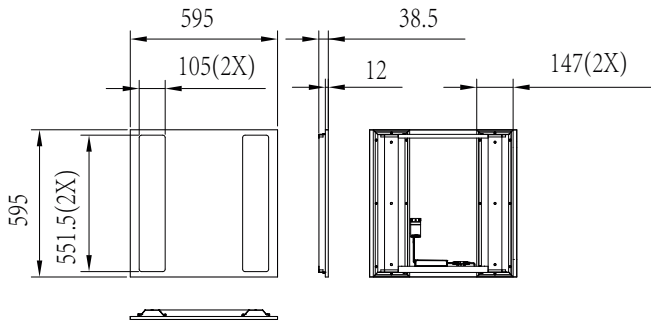
Control gear failure rate at median useful life 50000 h	5 %
Lumen maintenance (EN-IEC 62722-2-1) at median useful life* 50000 h	L90
Lumen maintenance (EN-IEC 62722-2-1) at median useful life* 100000 h	L80

Product Data

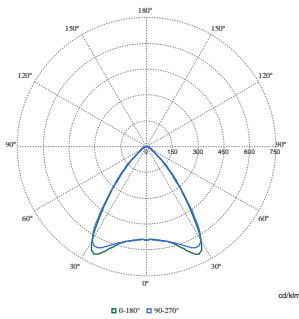
Order product name	RC136B G4 36_45_60S/840 PSU W60L60 OC
Full product name	RC136B G4 36_45_60S/840 PSU W60L60 OC
Full product code	872016976416399
Order code	911401841187
Material Nr. (12NC)	911401841187
Numerator - Quantity Per Pack	1
EAN/UPC - Product/Case	8720169764163
Numerator - Packs per outer box	4
EAN/UPC - Case	8720169764446

CoreLine recessed gen 4

Dimensional drawing



Photometric data



Polar Normal (separate) - null - 911401841187

