

INSTRUCTION

36-2017



Home 601

312181.002



IP 40



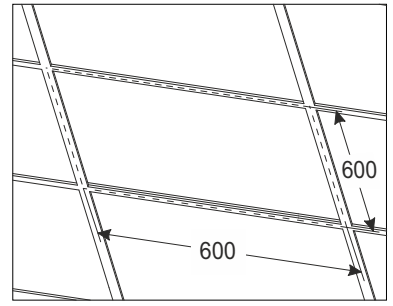
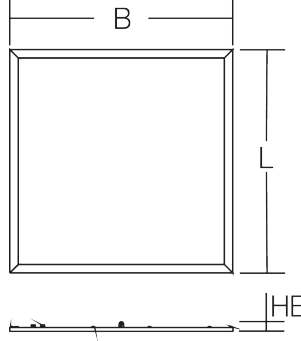
200 - 240 V / 50/60 Hz



2 x 1,5 mm²



1,50 mm²



312181.002

L 595, B 595, H 0

LA 0, BA 0, HE 42

LED

35 W

3,75 kg



EEK_{LED}

EEK

CRI

CCT

3350 lm

A+

A+

80

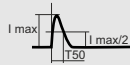
3000K



B10



B16



20

32

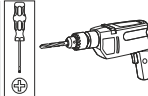
10,5 A



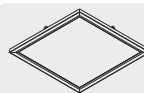
Instruction
Wartungsplan/
maintenance
schedule



DIN EN 61340-5-1



EN 12464



EN 12464

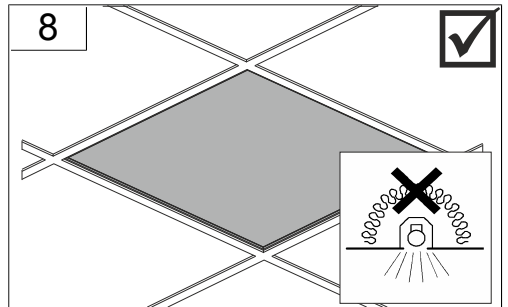
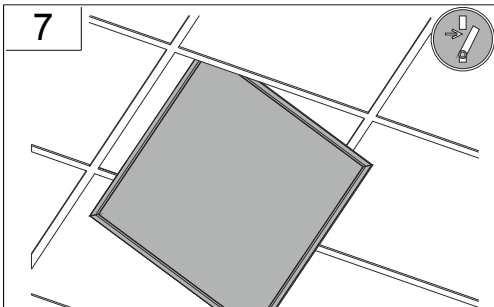
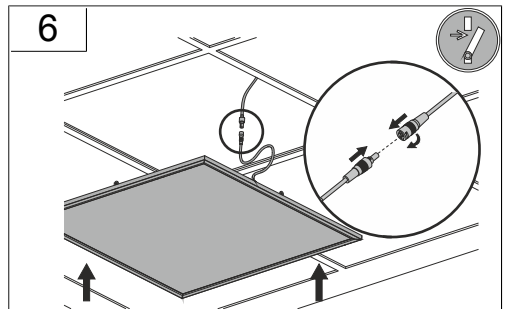
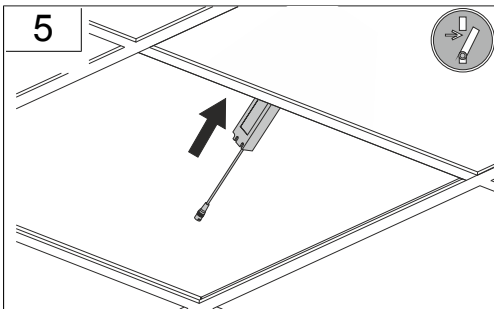
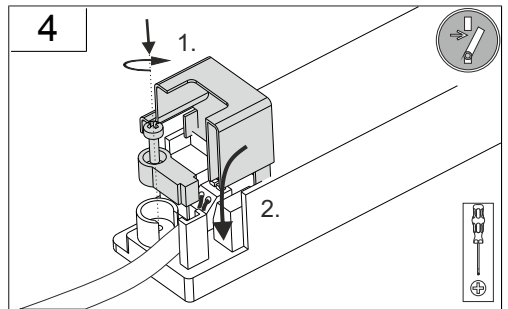
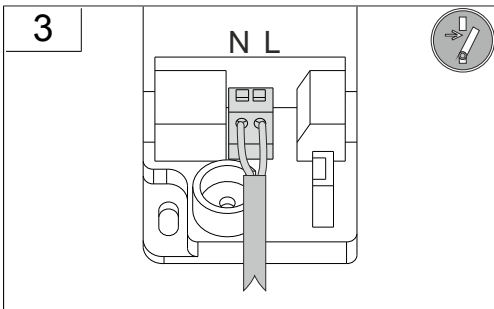
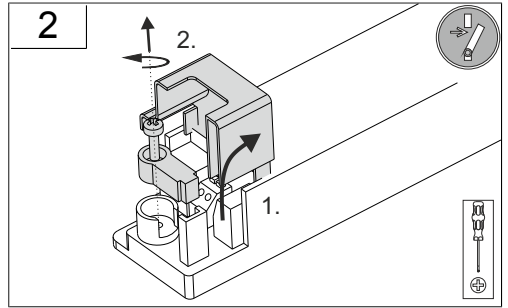
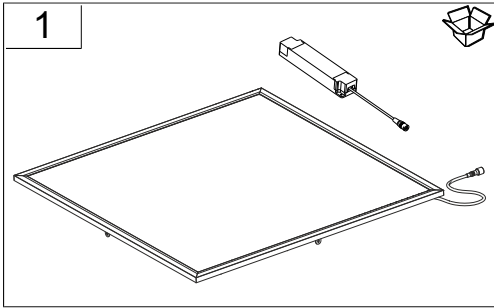


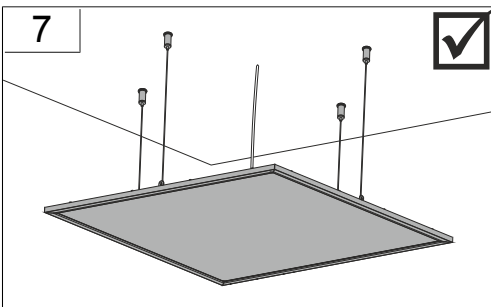
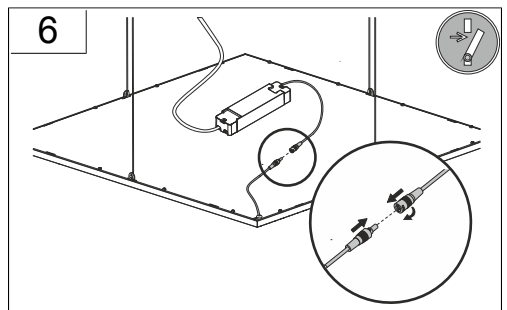
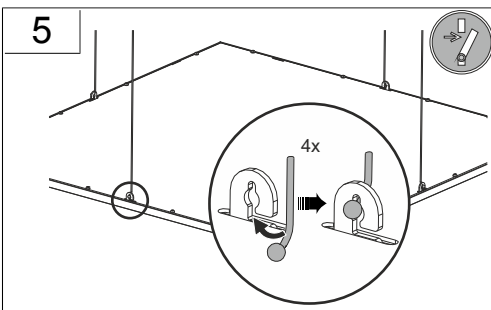
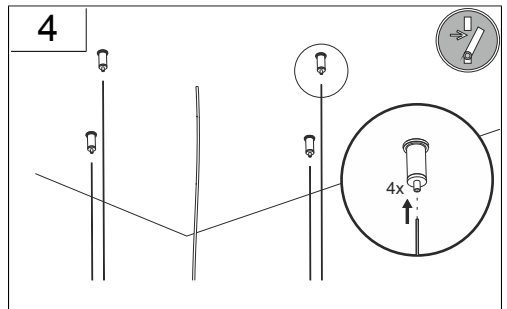
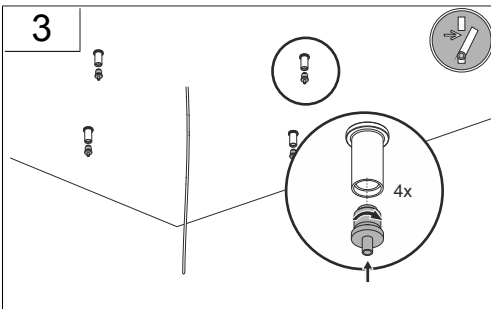
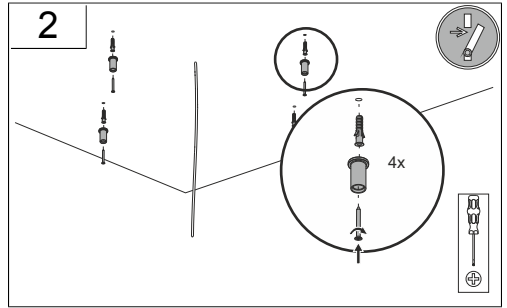
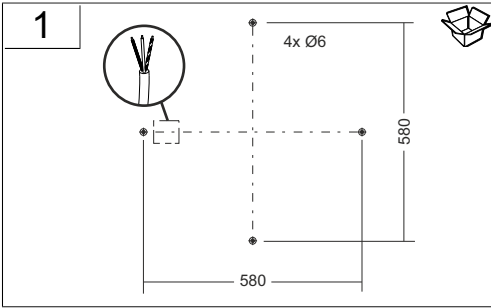
EN 12464

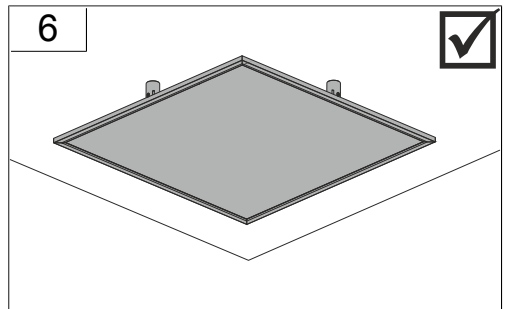
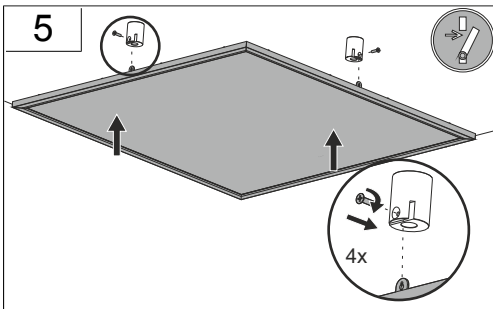
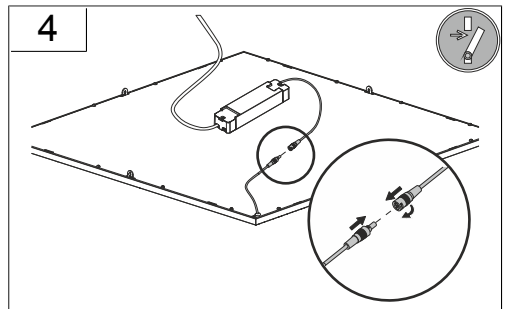
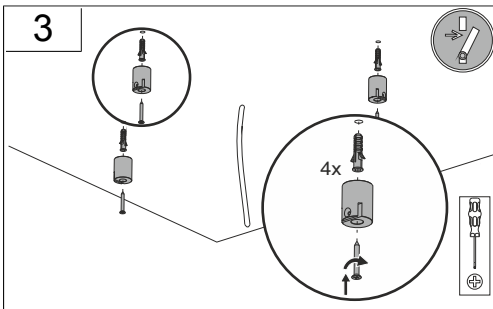
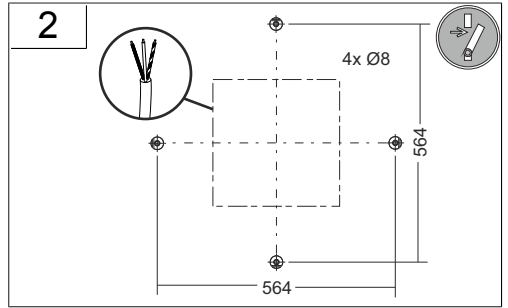
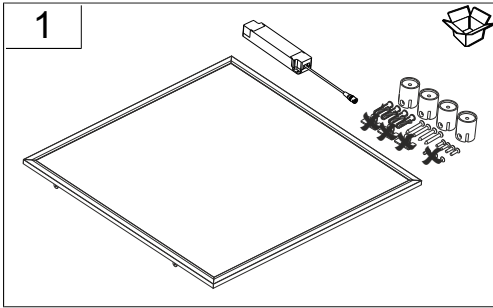
Wartungsplan/
Maintenance
schedule



RZB
Rudolf Zimmermann,
Bamberg GmbH
Rheinstraße 16
D-96052 Bamberg
Deutschland
Telefon +49 951/79 09-0
Telefax +49 951/79 09-198
www.rzb.de
info@rzb-leuchten.de





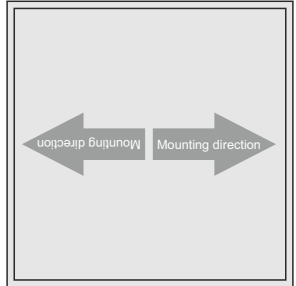
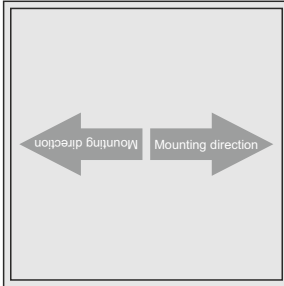
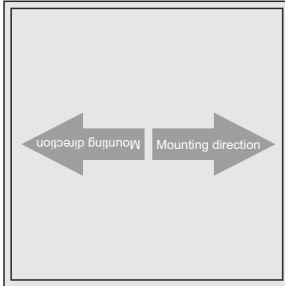
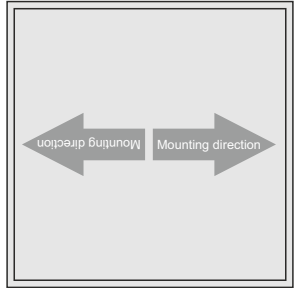
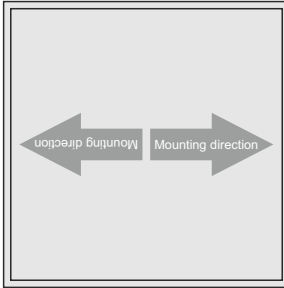
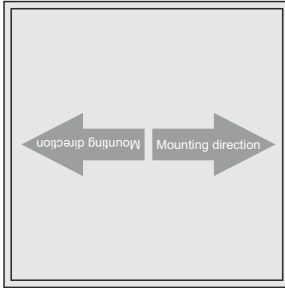


Instruction:







36-2017

Mounting direction:





	981978.000	, LP 1500	142 g
	981980.012		300 g
	981941.002	L 624, B 624, H 2, HE 94	2,1 kg
	982187.022	L 602, B 602, H 47	2,07 kg

Instruction:



36-2017



Instruction:



36-2017

