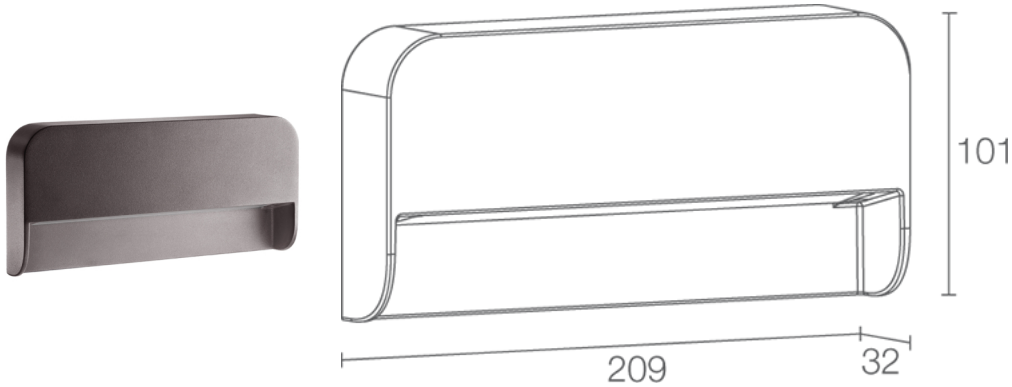
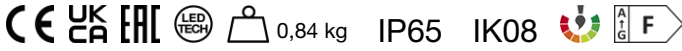


Made in Italy



Lira 2.0, code: LR2010FAH  
Step lights for outdoor applications

14/04/2025 Rev. 08/2024



## DESCRIPTION

step light for outdoor applications; surface mounted (wall); Power consumption: 12W; Power supply: 230Vac; Lumen output at source: 1512 lm (3000K); Delivered lumen output: 736 lm (3000K, white finish); 36 mid-power LEDs, 3-step MacAdam, 50 000h L80 B10 (Ta 25°C); LED colour: 2700K; Optics: asymmetrical; Upward flux fraction: 5,32% (white, grey finish); 0,14 % (cor-ten, anthracite finish); CRI Colour Rendering Index: 80; Body material: body in die-cast aluminium; Finishes: anthracite; RAL finish on request; Screen material: screen in serigraphed extra-clear microprismatic glass; built-in power supply unit; includes 1.5 m neoprene cable H05RN-F 3x1,0 Ø7 mm; Ingress protection: IP65; Impact resistance: IK08; Operating temperature: -20°C — +45°C; Photobiological safety: photobiological safety: risk group 1 according to EN 62471:2006; Appliance class: class I; Weight: 840 g; Dimensions: 209x101x32 mm; Energy efficiency class: F (light source) in accordance with EU 2019/2015; Accessories: WC0301 Outer casing; tested and approved via E.O.L. (End Of Line) test with functioning test and check of electrical power consumption

Status: Available

### ELECTRICAL CHARACTERISTICS

Power consumption	12W
Power supply	230Vac
Power supply unit	built-in power supply unit

### LIGHTING CHARACTERISTICS

Number and type of LED	36 mid-power LEDs
Average LED life	50 000h L80 B10 (Ta 25°C)
LED colour	2700K
CRI Colour Rendering Index	80
Binning	3-step MacAdam
Optics	asymmetrical
Lumen output at source	1512 lm (3000K)
Delivered lumen output	736 lm (3000K, white finish)

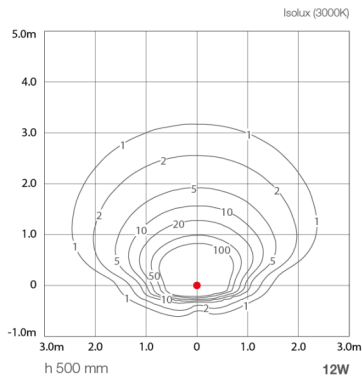
### MECHANICAL CHARACTERISTICS

Dimensions	209x101x32 mm
Weight	840 g
Finishes	anthracite
Mounting	with rear mounting plate or outer casing
Body material	body in die-cast aluminium
Screen material	screen in serigraphed extra-clear microprismatic glass

### GENERAL CHARACTERISTICS

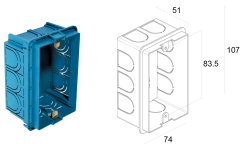
Ingress protection	IP65
Operating temperature	-20°C — +45°C
Impact resistance	IK08
Energy efficiency class	F (light source) in accordance with EU 2019/2015
Appliance class	class I
Walkover	no
Drive-over	no
Power cables	includes 1.5 m neoprene cable H05RN-F 3x1,0 Ø7 mm
Photobiological safety	photobiological safety: risk group 1 according to EN 62471:2006

## PHOTOMETRIC DATA

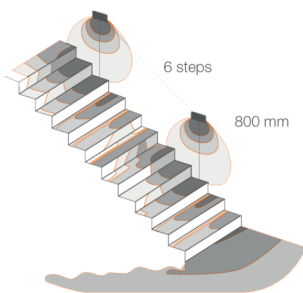


## ACCESSORIES

### Installation Accessories



### WC0301 Outer casing



L&L Luce&Light SRL reserves the right to change the information contained in this document at any time without prior notice being given.