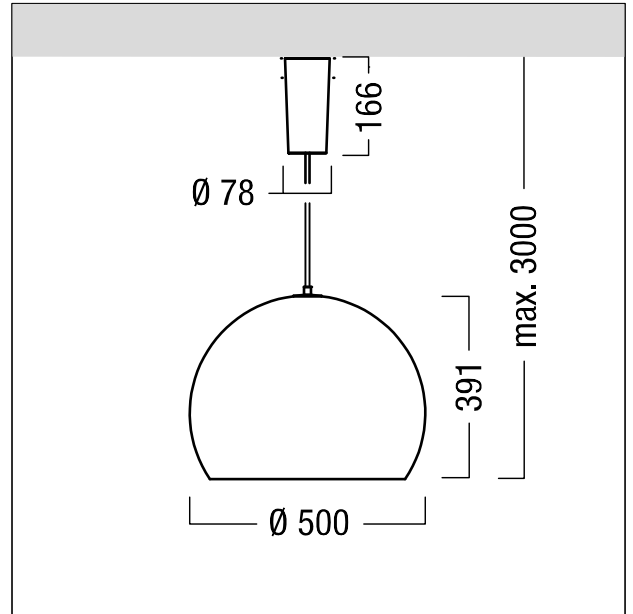


Pendant luminaire

Spherical pendant luminaire; sphere of polycarbonate with semi-transparent, reflective bronze-plated finish; lighting impact: semi-transparent reflection of light creates sense of plasticity and depth; lamp(s): LED750-930, Luminaire or spotlight with FLOOD light distribution (27 °); Colour rendering Ra > 90, colour temperature 3000 K (warm white); Chromaticity tolerance (initial MacAdam): 3; Luminaire luminous flux: 750 lm, Luminaire efficacy: 83 lm/W; service life: 50000h for luminous flux at 80% of initial value; UV-free and IR-free light; modular, high quality optical unit consisting of reflector and LED light chamber; passive thermal management achieved by optimised design of luminaire housing; reflector made of high-quality, UV-resistant polycarbonate, highly reflective aluminized finish, iridescence-free; electronic control gear , integrated in ceiling rose; ceiling rose of polycarbonate, chrome matt; transparent pendant cord; electrical connection: 3-pole connector terminal; Luminaire input power: 9 W; mains voltage: 220-240V/ 50/60Hz ; class of protection: I; Dimensions: Ø500 mm, total length approx. 3000mm; weight: 2.6 kg



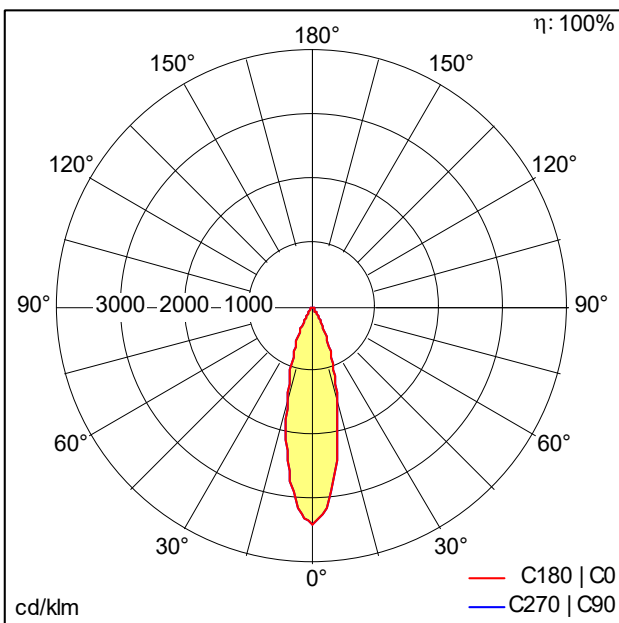
ZS_SCO_F_Sfera500_LED_bronze.jpg



ZS_SCO_M_SFERA_500_S_AC_AM_LED.wmf

Light Distribution

STD - standard



ST8370_N.Idt

- Light Source: LED
- Luminaire luminous flux*: 750 lm
- Luminaire efficacy*: 83 lm/W
- Colour Rendering Index min.: 90
- Ballast: 1 x 28000704 LC 10W 150-400mA flexC SC EXC
- Correlated colour temperature*: 3000 Kelvin
- Chromaticity tolerance (initial MacAdam): 3
- Rated median useful life*: L80 50000 h at 25 °C
- Luminaire input power*: 9 W Power factor = 0.9
- Maintenance category CIE 97: C - Closed Top Reflector

This product contains a light source of energy efficiency class F.

All values marked with an * are rated values. Connected electrical load and luminous flux are subject to an initial tolerance of +/- 10%, the most similar colour temperature is subject to an initial tolerance of +/- 150K. Unless stated otherwise, the values apply to an ambient temperature of 25°C.