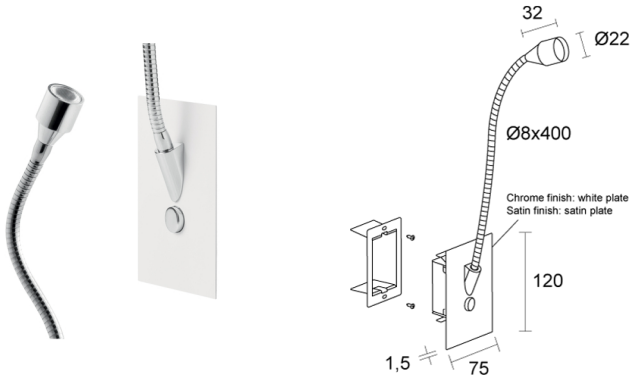


Made in Italy

- Wall 8.2, code: PL821240FMS
Reading lamps

26/06/2025 Rev. 07/2024



DESCRIPTION

reading lamp; surface mounted (wall); Power consumption: 3,5W; Power supply: 230Vac; Lumen output at source: 145 lm (3000K, 3.5W); Delivered lumen output: 103 lm (3000K, 25°, 3.5W); 1 power LED, 1/4 ANSI BIN, 50 000h L90 B10 (Ta 25°C); LED colour: 2700K; Optics: 25°; CRI Colour Rendering Index: 80; Body material: body in aluminium, plate in steel, pole in brass; Finishes: satin; built-in power supply unit; includes 0.30 m two-core cable; Ingress protection: IP20; chrome finish: white plate; satin finish: satin plate; Operating temperature: 0°C — +45°C; Photobiological safety: photobiological safety: risk group 1 according to EN 62471:2006; Appliance class: class I; Weight: 370 g; Dimensions: Ø22x32 mm; Energy efficiency class: F (light source) in accordance with EU 2019/2015; Accessories: WC0301 Outer casing; tested and approved via E.O.L. (End Of Line) test with functioning test and check of electrical power consumption

Status: Available

ELECTRICAL CHARACTERISTICS

Power consumption	3,5W
Power supply	230Vac
Power supply unit	built-in power supply unit

LIGHTING CHARACTERISTICS

Number and type of LED	1 power LED
Average LED life	50 000h L90 B10 (Ta 25°C)
LED colour	2700K
CRI Colour Rendering Index	80
Binning	1/4 ANSI BIN
Optics	25°
Lumen output at source	145 lm (3000K, 3.5W)
Delivered lumen output	103 lm (3000K, 25°, 3.5W)

MECHANICAL CHARACTERISTICS

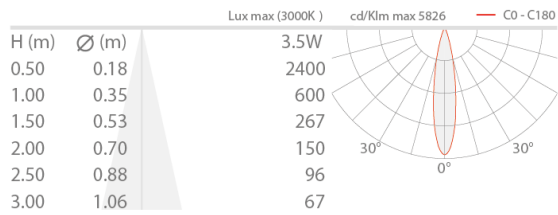
Dimensions	Ø22x32 mm
Weight	370 g
Finishes	satin
Mounting	with standard box 503 (WC0301) and mounting plate
Body material	body in aluminium, plate in steel, pole in brass

GENERAL CHARACTERISTICS

Ingress protection	IP20
Operating temperature	0°C — +45°C
Energy efficiency class	F (light source) in accordance with EU 2019/2015
Appliance class	class I
Walkover	no
Drive-over	no
Power cables	includes 0.30 m two-core cable
Photobiological safety	photobiological safety: risk group 1 according to EN 62471:2006
Notes	chrome finish: white plate; satin finish: satin plate

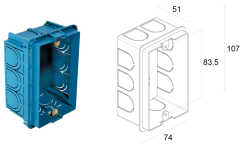
PHOTOMETRIC DATA

M - 25°



ACCESSORIES

Installation Accessories



WC0301

Outer casing

L&L Luce&Light SRL reserves the right to change the information contained in this document at any time without prior notice being given.